

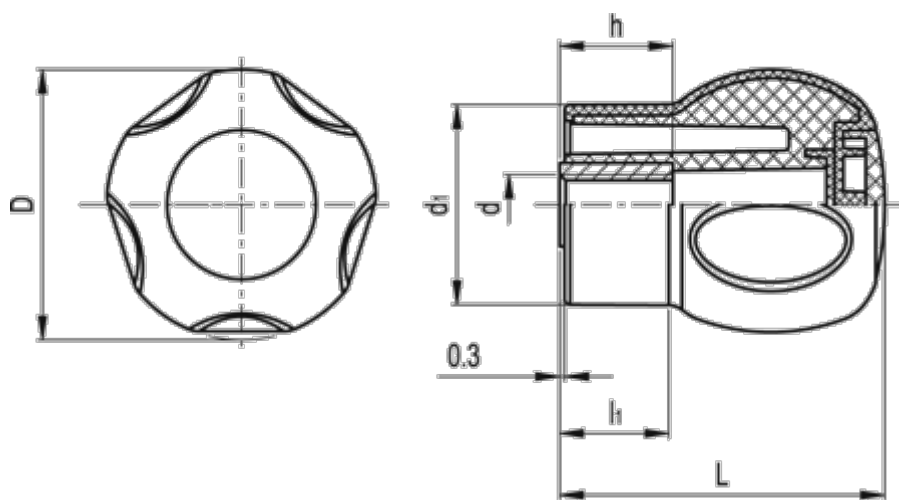
Data Sheet



Article number: 23052452054

Description: E+G Handle
EBK.50 B-M10-C-SOFT-C4 Gul

Measures



D	= 50
d1	= 37
d 6H	= M10
h	= 20
L	= 60
l1	= 20
Weight (g)	= 82